

| | | |
|--|---|--|
| Quartz Crystal Series | Features ◆ RoHS Compliant |  |
| AT-3*8(A38B) AT-2*6(A26B) | | |

| Electrical Specifications | | | |
|-----------------------------|---------------------|------------------|---------------------------------|
| Item | Specifications | | Remarks |
| Series | AT-3*8 | AT-2*6 | |
| Nominal Frequency Range | 3.57MHz to 29.99MHz | 6.0MHz to 29.99M | Fund.;AT Cut |
| | 30.0MHz to 65.0M | | 3 rd Overtone;AT Cut |
| Frequency Tolerance | ±20ppm(Standard) | | Others are offered |
| Operating Temperature Range | -20°C to +70°C | -40°C to +85°C | |
| Storage Temperature Range | -40°C to +85°C | | |
| Series Resistance | As ESR table | | |
| Shunt Capacitance | 5.0pF Max. | | |
| Load Capacitance | 20pF(Standard) | | 7pF to ∞ |
| Drive Level | 100μW | | 300μW Max. |
| Insulated Resistance | 500MΩ | | Minimum at 100Vdc |
| Aging | ±3ppm/year | | Maximum |

| ESR(Series Resistance) | | | | | |
|------------------------|----------|-------|----------------|-------------------------|-------|
| Frequency(MHz) | Mode | Ω Max | Frequency(MHz) | Mode | Ω Max |
| 3.579545~5.999 | Fund.;AT | 150 | 12.000~29.999 | Fund.;AT | 40 |
| 6.000~11.999 | Fund.;AT | 80 | 30.000~65.000 | 3 rd O.T.;AT | 80 |

| Stability vs. Temperature | | | | | | | | |
|---------------------------|----------------|--------|--------|--------|--------|--------|--------|----------|
| ◆ Standard | | 1 | 2 | 3 | 5 | 6 | 7 | Remarks |
| ◇ Please specify | | ±10ppm | ±20ppm | ±30ppm | ±50ppm | ±15ppm | ±25ppm | |
| C | -20°C to +70°C | ◇ | ◆ | ◇ | ◇ | ◇ | ◇ | Standard |
| D | -40°C to +85°C | | | ◇ | ◆ | | | |

| Ordering Information | | | | | | | | | | | |
|----------------------|---|------|-----|---------|---|------|-------|------------------------|-----------------|--------------------|--------|
| Q | R | Type | Pin | XX.XXXX | M | Mode | CL pF | Freq.Tolerance at 25°C | Operating Temp. | Stability Vs.Temp. | Option |

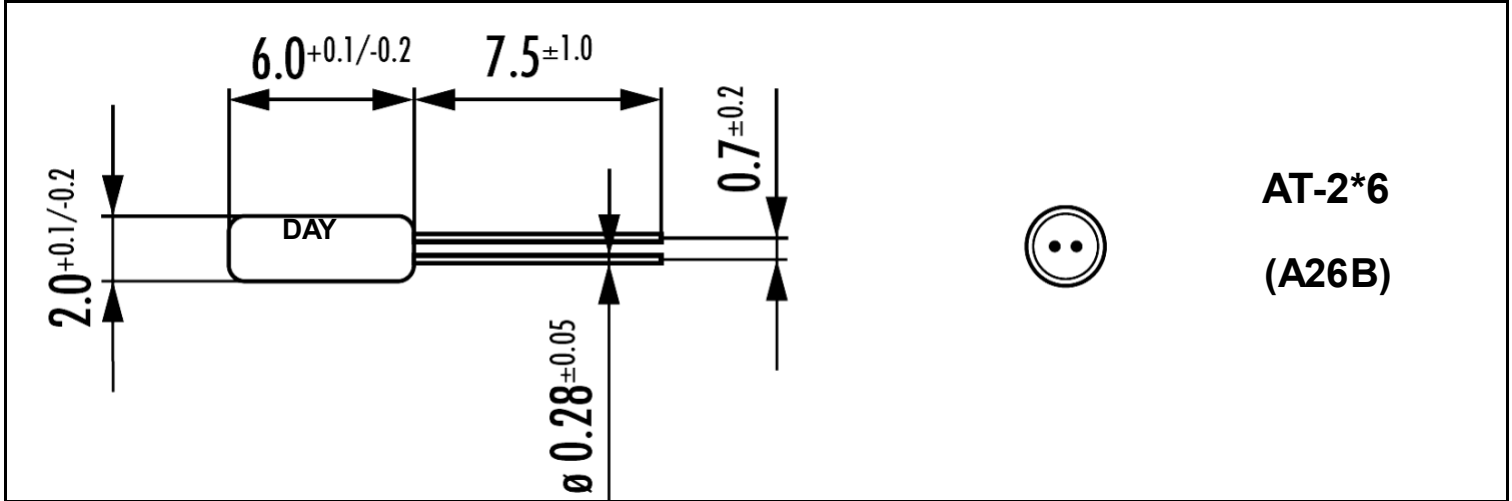
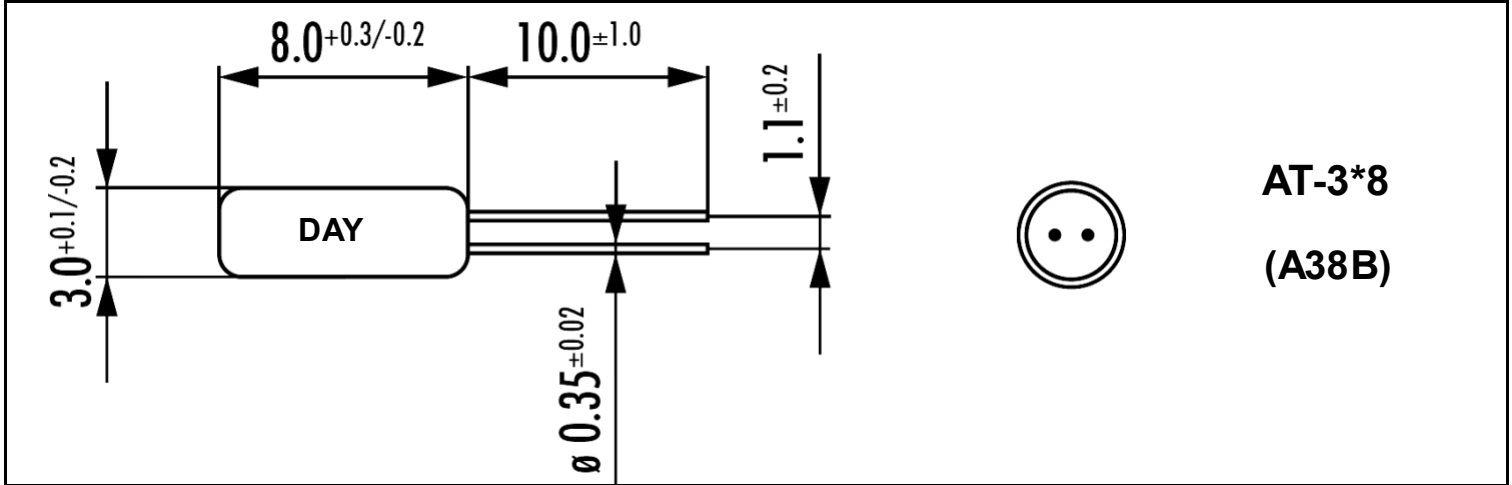
Q:Quartz A38:3*8mm B: Center frequency M: F:Fund.;AT See ±10ppm to See Table See Table F:Lead Free
 R:Resonator A26:2*6mm 2Pins 3.57 to 65.0MHz MHz O:3rd O.T. Table ±50ppm See Table See Table T:T&R
 Blank:Bulk

Example:QRA38B04.0000MFK2 C2 F (Crystal,AT-3*8,4.000MHz,2pins,20pF, ±20ppm,-20 to +70deg, ±20ppm,Lead free,Bulk)

| | |
|-----------------------|------------------------------|
| Quartz Crystal Series | AT-3*8(A38B) AT-2*6(A26B) |
|-----------------------|------------------------------|

| Load Capacitance Codes | | | | | | | |
|------------------------|---|-------|---|-------|---|---------|---|
| 7pF: | E | 8pF: | F | 9pF: | B | 10pF: | R |
| 12pF: | T | 15pF: | H | 16pF: | I | 18pF: | J |
| 20pF: | K | 22pF: | L | 25pF: | G | 27pF: | M |
| 30pF: | N | 32pF: | P | 33pF: | W | Series: | S |

Dimensions



Reflow Soldering Profile

